



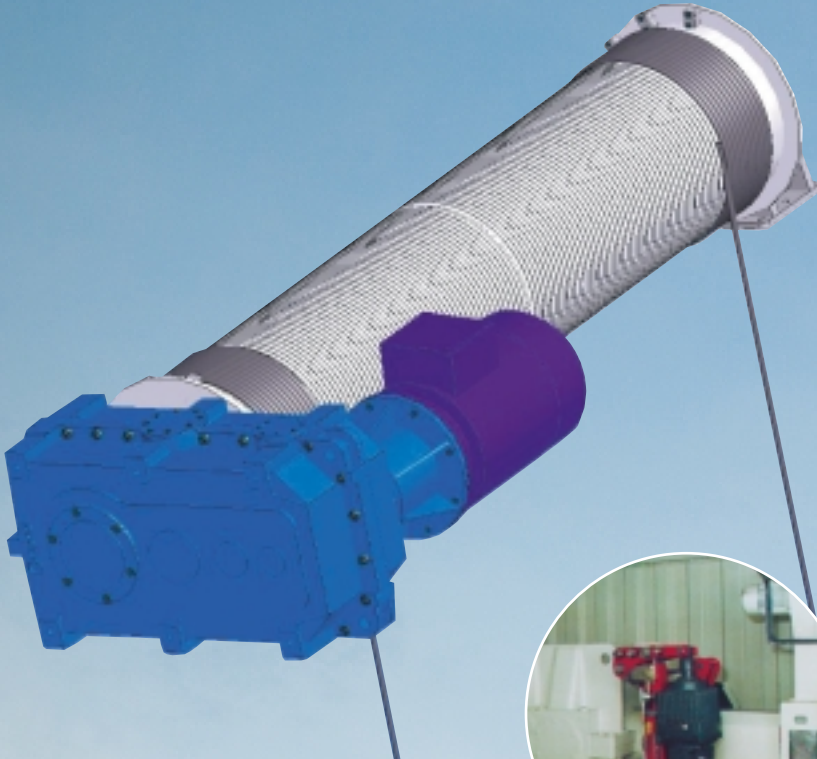
KUMERA

CRANE DRIVES



KUMERA Drives

Kumera Crane Drives



Drives for Hoisting

- Main Hoisting Machinery
- Auxiliary Hoisting Machinery
- Service Hoisting Machinery
- Boom Hoisting Machinery

Drives for Slewing and Other Machinery

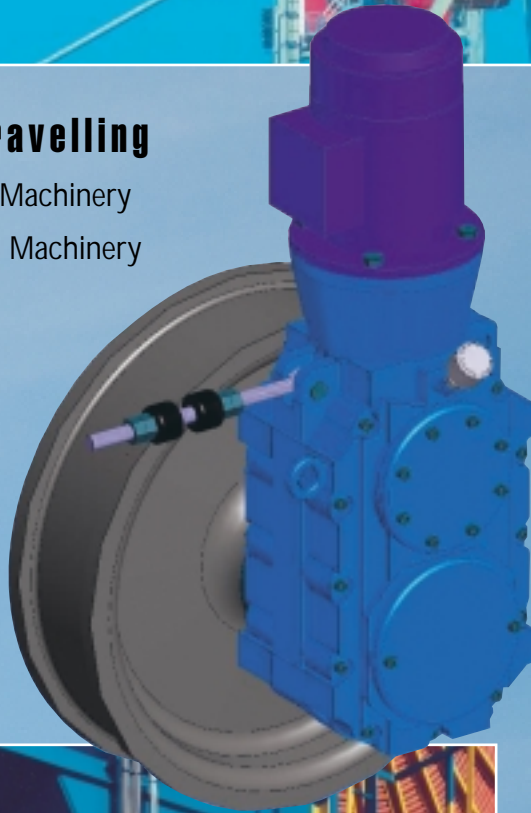
- Slewing Machinery
- Additional Fine Positioning Machinery (trim, skew, shift, list)
- Auxiliary Machinery (e.g. sway damp, locking systems)





Drives for Travelling

- Crane Travelling Machinery
- Trolley Travelling Machinery



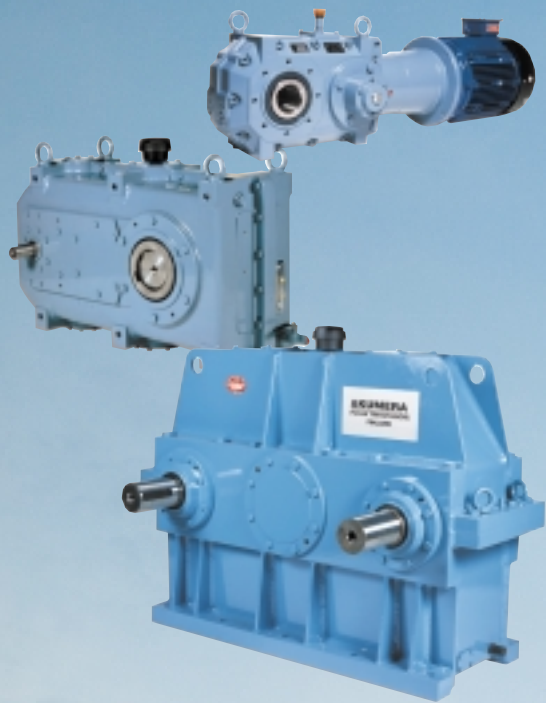
Applications:

Ship-to-Shore Cranes
Rail Mounted Gantry Cranes
Straddle Carriers
Rubber Tyre Gantry Cranes
Double Boom Cranes
Single Boom Cranes
Goliath Gantry Cranes
Grab Unloader Cranes
Multipurpose Cranes
Overhead Travelling Cranes
Process Duty Cranes

Referencies:

BM Titan, Netherlands
Figee, Netherlands
Imenosa, Spain
Kalmar/Nelcon, Netherlands
Kalmar, Finland
Konecranes, Finland
Nieuwe Boomse, Netherlands
NKM, Netherlands
Samsung Heavy Industirs, Korea
Ulstein Verft, Norway

Kumera Drives Oy is a major supplier of gear units for selected industries



Kumera expertise also covers drives for crane applications. Specific circumstances and strict requirements in hoisting, travelling, slewing and other operational movements of different cranes can be met with the wide range of standard and special gear units of Kumera Drives.

All Kumera crane drives can be equipped with a condition monitoring system.

The more than half a century experience of Kumera Drives in designing and calculating gear units is complemented with in-house production facilities of the critical parts, i.e. gear wheels and other geared components.

Service

Kumera Drives is also a service company providing maintenance of gear units. Kumera offers complete service solutions for any types of gear units of whatever make in all kinds of cranes.

Our range of services covers the following:

- Preventive maintenance
- Technical expertise
- Repairs
- Spare parts



For any queries, please contact:

Kumera Drives Oy

Kumerankatu 2
FI-11100 Riihimäki, FINLAND
Tel.: +358 20 755 4200
Fax: +358 20 755 4220
E-mail: drives@kumera.com

Other companies of the Kumera Power Transmission Group:

Kumera AS
P.O.Box 2043
N-3202 Sandefjord, NORWAY
Tel.: +47 33 485 454
Fax: +47 33 485 455
E-mail: sales@kumera.no

Kumera Antriebstechnik GmbH
Raiffeisenstrasse 38-40
A-8010 Graz, AUSTRIA
Tel.: +43 316 471 524-0
Fax: +43 316 462 550
E-mail: kumera.graz@kumera.com



KUMERA

www.kumera.com